

## **Inspection Units**

**For Camera Based Systems**

**On Rolling Mills & Process Lines**

# Product Sheet

**Product:**                    **Inspection Units**

**Solutions for camera based inspection systems**

**Applications:**

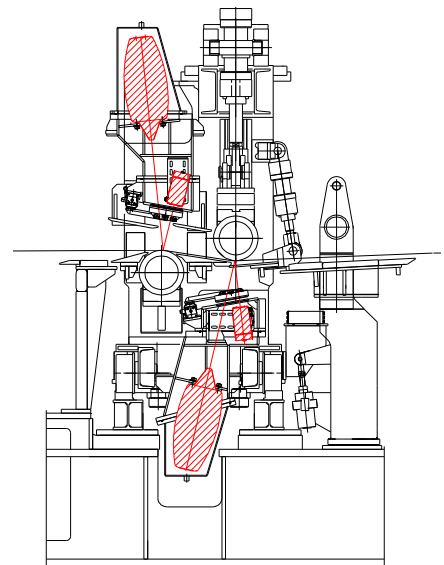
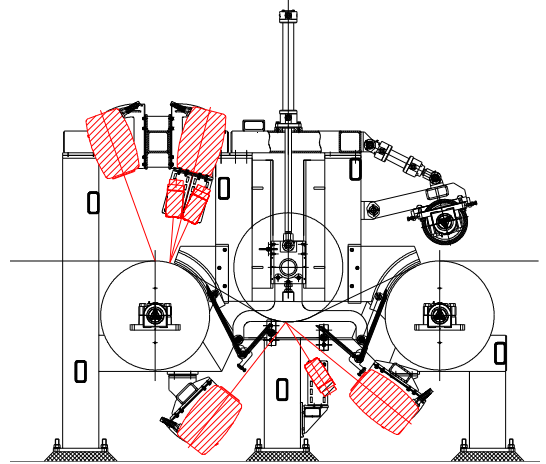
- Flat rolled products
- Ferrous and non-ferrous metals
- Rolling Mills and Process Lines

**Features and benefits:**

- Individual designs tailored to the specific geometry and requirements of the inspection application.
- Robust design to ensure camera stability.
- Protective guarding and air wipe systems.
- Special enclosures with wiper systems to cater for harsh environmental conditions.

**Recent References**

- Inspection Line - Mahle Engine Systems
- Aluminium Hot Mill - Confidential
- Aluminium Cold Mill - Confidential



To contact SMS group Technical Services (UK) Ltd and to download other data sheets :

Tel:                    +44 (0) 1202 547400  
Email:                [enquiries@parkegate.co.uk](mailto:enquiries@parkegate.co.uk)  
Web:                    [www.parkegate.co.uk](http://www.parkegate.co.uk)